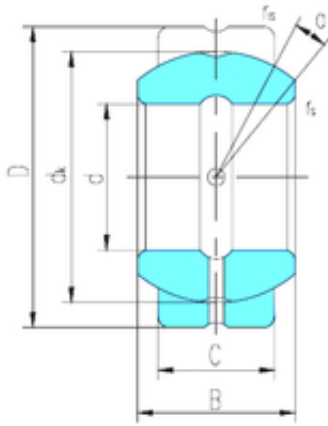




# BEARING CORP. LTD.

44,45 mm x 80,963 mm x 46,228 mm LS  
GEGZ44ES plain bearings



GEGZ44ES Bearing 2D drawings and 3D CAD models

Bearing No. GEGZ44ES

Size	44.45x80.963x46.228 mm
Bore Diameter	44,45 mm
Outer Diameter	80,963 mm
Width	46,228 mm
d	44,45 mm
D	80,963 mm
B	46,228 mm
C	38,1 mm
dk	73 mm
r min.	0,6 mm
r1 min.	1 mm
Angle	14 °
Weight	1,14 Kg
Basic dynamic load rating (C)	224 kN