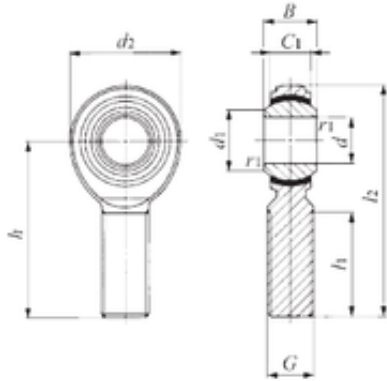




BEARING CORP. LTD.

IKO POS 10EC plain bearings



Bearing No. POS 10EC

Bore Diameter	10 mm
d	10 mm
L2	61 mm
d1	12,9 mm
d2	26 mm
dk	19,05 mm
h	48 mm
r1 min.	0,2 mm
B	14 mm
C1	10,5 mm
L1	29 mm
Thread (G)	M10 × 1,5
Weight	0,054 Kg
Basic dynamic load rating (C)	19,6 kN

POS 10EC Bearing 2D drawings and 3D CAD models