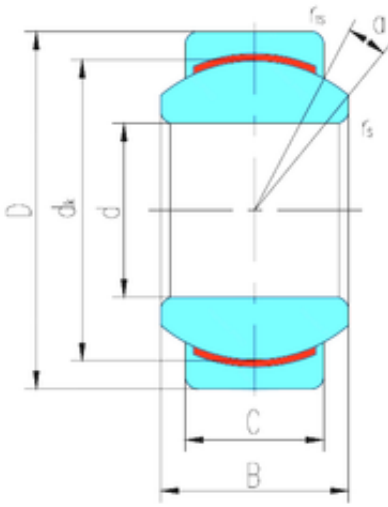




BEARING CORP. LTD.

16 mm x 32 mm x 21 mm LS GEBJ16C plain bearings

Bearing No. GEBJ16C



GEBJ16C Bearing 2D drawings and 3D CAD models

Size	16x32x21 mm
Bore Diameter	16 mm
Outer Diameter	32 mm
Width	21 mm
d	16 mm
D	32 mm
B	21 mm
C	15 mm
dk	28,58 mm
r min.	0,3 mm
r1 min.	0,6 mm
Angle	15 °
Weight	0,081 Kg
Basic dynamic load rating (C)	38 kN