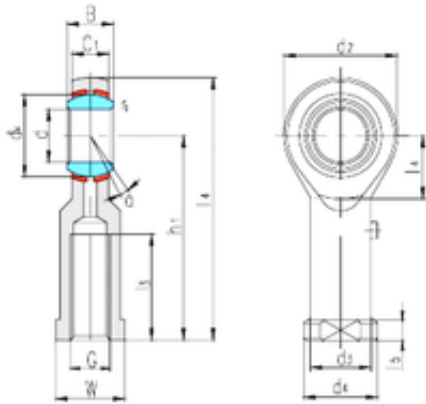




BEARING CORP. LTD.

LS SIZP15S plain bearings



SIZP15S Bearing 2D drawings and 3D CAD models

Bearing No. SIZP15S

| | |
|-------------------------------|----------|
| Bore Diameter | 15,88 mm |
| d | 15,88 mm |
| B | 19,05 mm |
| d2 | 38,1 mm |
| d3 | 21,84 mm |
| d4 | 25,4 mm |
| dk | 28,58 mm |
| h1 | 63,5 mm |
| l3 min. | 38,1 mm |
| l4 max. | 82,55 mm |
| l5 | 7,92 mm |
| l7 min. | 18,2 mm |
| r min. | 0,6 mm |
| C1 | 14,27 mm |
| W | 22,23 mm |
| Thread (G) - 5/8-18 | 5/818 |
| Angle | 11 ° |
| Weight | 0,19 Kg |
| Basic dynamic load rating (C) | 20 kN |