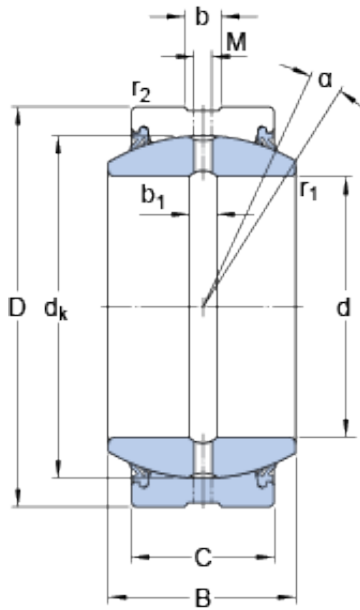




# BEARING CORP. LTD.

31.75 mm x 50.8 mm x 27.762 mm SKF GEZ  
104 ES-2RS plain bearings

Bearing No. GEZ 104 ES-2RS



GEZ 104 ES-2RS Bearing 2D drawings and 3D CAD models

Size	31.75x50.8x27.762 mm
Bore Diameter	31,75 mm
Outer Diameter	50,8 mm
Width	27,762 mm
d	31.75 mm
D	50.8 mm
B	27.762 mm
C	23.8 mm
	6 °
d <sub>k</sub>	45.593 mm
b	4.8 mm
b <sub>1</sub>	5 mm
M	4 mm
r <sub>1</sub> - min.	0.6 mm
r <sub>2</sub> - min.	1 mm
d <sub>a</sub> - min.	34.8 mm
d <sub>a</sub> - max.	36.2 mm
D <sub>a</sub> - min.	44.8 mm
D <sub>a</sub> - max.	47 mm
r <sub>a</sub> - max.	0.6 mm
r <sub>b</sub> - max.	1 mm
Basic dynamic load rating - C	86.5 kN
Basic static load rating - C <sub>0</sub>	260 kN
Specific factor dinamic load - K	100 N/mm <sup>2</sup>



## BEARING CORP. LTD.

Specific factor static load - $K_0$	300 N/mm <sup>2</sup>
Constant - $K_M$	330
Size	50.8x31.75x27.762 mm
Bore Diameter	50,8 mm
Outer Diameter	31,75 mm
Width	27,762 mm
d	31.75 mm
D	50.8 mm
B	27.762 mm
C	23.8 mm
	6 °
$d_k$	45.593 mm
b	4.8 mm
$b_1$	5 mm
M	4 mm
$r_1$ - min.	0.6 mm
$r_2$ - min.	1 mm
$d_a$ - min.	34.8 mm
$d_a$ - max.	36.2 mm
$D_a$ - min.	44.8 mm
$D_a$ - max.	47 mm
$r_a$ - max.	0.6 mm
$r_b$ - max.	1 mm
Basic dynamic load rating - C	86.5 kN
Basic static load rating - $C_0$	260 kN
Specific factor dynamic load - K	100 N/mm <sup>2</sup>
Specific factor static load - $K_0$	300 N/mm <sup>2</sup>
Constant - $K_M$	330



## BEARING CORP. LTD.

Category	Spherical Plain Bearings - Radial
Inventory	0.0
Manufacturer Name	SKF
Minimum Buy Quantity	N/A
Weight / Kilogram	0.23
Product Group	B04264
Self Aligning	Yes
Rolling Element	Spherical Plain
Material - Outer Member	Steel
Material - Ball	Steel
Material - Liner	Not Applicable
Relubricatable	Yes
Enclosure	2 Seals
Other Features	2 Piece   Double Lip Seals   Lubrication Hole and an Annular Groove in Both Rings
Long Description	1-1/4" Bore; 15/16" Housing Width; 2" Outside Diameter; Steel Outer Member; Steel Ball; No Liner; 1-3/32" Overall Width; Relubricatable
Inch - Metric	Inch
Category	Plain Bearings Spherical Radial
UNSPSC	31171515
Harmonized Tariff Code	8483.30.80.70
Noun	Bearing
Keyword 3	Spherical
Keyword String	Plain Spherical Radial
Manufacturer URL	<a href="http://www.skf.com">http://www.skf.com</a>
Manufacturer Item Number	GEZ 104 ES-2RS
Weight / LBS	0.507



## BEARING CORP. LTD.

Outside Diameter	2 Inch   50.8 Millimeter
Overall Width	1.093 Inch   27.762 Millimeter
Bore	1.25 Inch   31.75 Millimeter
Housing Width	0.937 Inch   23.8 Millimeter
bore diameter:	1.2500 in
outer ring width:	0.9370 in
outside diameter:	2.0000 in
grade:	Commercial/Industrial
misalignment angle:	6 °
radial static load capacity:	58450 lbf
inner ring width:	1.0930 in
radial dynamic load capacity:	19446 lbf
bearing type:	Radial
operating temperature range:	-30 to +130 ° C ° F
lubrication type:	Requires Lubrication
overall width:	1.0930 in
closure type:	Sealed
weight:	0.51 lb
outer ring material:	Chrome Steel
manufacturer product page:	<a href="#">Click here</a>
inner ring material:	Chrome Steel
manufacturer upc number:	7316576612237
Lubricant	Regular relubrication – grease
Design (sliding contact surface combination)	Steel/steel
Sealing solution	Double-lip seals
	6 °
d <sub>k</sub>	45.593 mm
b <sub>1</sub>	5 mm
r <sub>1</sub> min.	0.6 mm



## BEARING CORP. LTD.

$r_2$ min.	1 mm
$d_a$ min.	34.8 mm
$d_a$ max.	36.2 mm
$D_a$ min.	44.8 mm
$D_a$ max.	47 mm
$r_a$ max.	0.6 mm
$r_b$ max.	1 mm
Basic dynamic load rating C	86.5 kN
Basic static load rating $C_0$	260 kN
Specific dynamic load factor K	100 N/mm <sup>2</sup>
Specific static load factor $K_0$	300 N/mm <sup>2</sup>
Material constant $K_M$	330
Mass plain bearing	0.23 kg