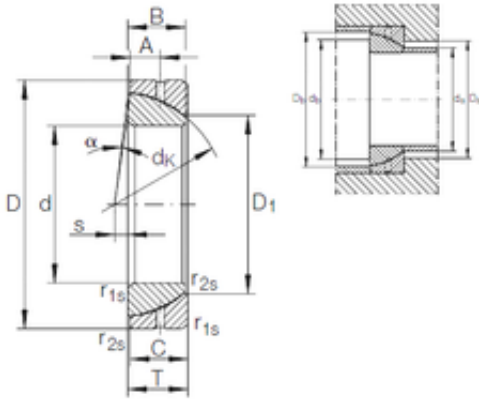




BEARING CORP. LTD.

65 mm x 100 mm x 22 mm INA GE 65 SX plain bearings



GE 65 SX Bearing 2D drawings and 3D CAD models

Bearing No. GE 65 SX

Size	65x100x23 mm
Bore Diameter	65 mm
Outer Diameter	100 mm
Width	23 mm
d	65 mm
D	100 mm
T	23 mm
B	22 mm
C	22 mm
dk	92 mm
r1 min.	1,5 mm
r2 min.	0,6 mm
A	11,5 mm
D1	75,6 mm
S	5 mm
da max	74,4 mm
Da min	84 mm
db min	83 mm
Db min.	93 mm
Angle	1,3 °
Weight	0,77 Kg
Basic dynamic load rating (C)	173 kN