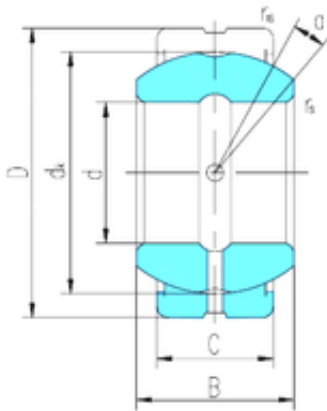




BEARING CORP. LTD.

55 mm x 85 mm x 40 mm LS GE55ES-2RS plain bearings



Bearing No. GE55ES-2RS

Size	55x85x40 mm
Bore Diameter	55 mm
Outer Diameter	85 mm
Width	40 mm
d	55 mm
D	85 mm
B	40 mm
C	32 mm
dk	74 mm
r min.	0,6 mm
r1 min.	1 mm
Angle	7 °
Weight	0,864 Kg
Basic dynamic load rating (C)	200 kN

GE55ES-2RS Bearing 2D drawings and 3D CAD models