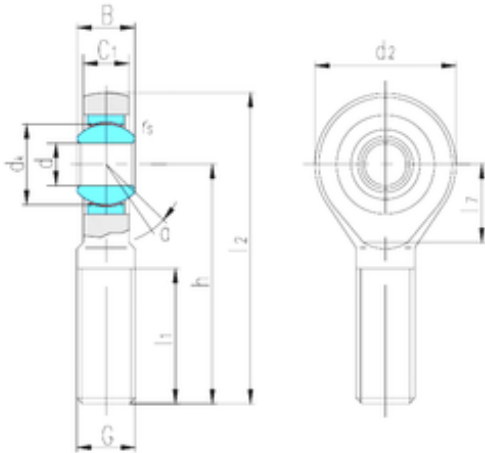




BEARING CORP. LTD.

LS SA30C plain bearings

Bearing No. SA30C



SA30C Bearing 2D drawings and 3D CAD models

Bore Diameter	30 mm
d	30 mm
B	22 mm
d2	73 mm
dk	40,7 mm
h	110 mm
l1 min.	65 mm
l2 max.	146,5 mm
l7 min.	35,5 mm
r min.	0,6 mm
C1 max	20 mm
Thread (G)	M30 × 2
Angle	6 °
Weight	0,89 Kg
Basic dynamic load rating (C)	65 kN