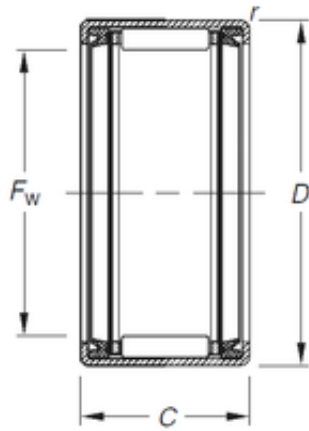




BEARING CORP. LTD.

Timken JTT-1012 needle roller bearings

Bearing No. JTT-1012



JTT-1012 Bearing 2D drawings and 3D CAD models

Size	15.875x20.638x19.05 mm
Bore Diameter	15,875 mm
Outer Diameter	20,638 mm
Width	19,05 mm
Fw	15,875 mm
D	20,638 mm
C	19,05 mm
Weight	0,013 Kg
Basic dynamic load rating (C)	8,81 kN
Basic static load rating (C0)	12,9 kN