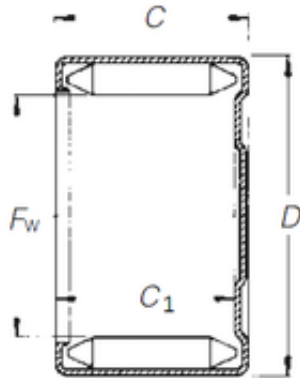




BEARING CORP. LTD.

Timken DLF 25 16 needle roller bearings



Bearing No. DLF 25 16

Size	25x33x16 mm
Bore Diameter	25 mm
Outer Diameter	33 mm
Width	16 mm
F _w	25 mm
D	33 mm
C	16 mm
C ₁	13,7 mm
Weight	0,035 Kg
Basic dynamic load rating (C)	16 kN
Basic static load rating (C ₀)	32,5 kN
(Grease) Lubrication Speed	7800 r/min

DLF 25 16 Bearing 2D drawings and 3D CAD models