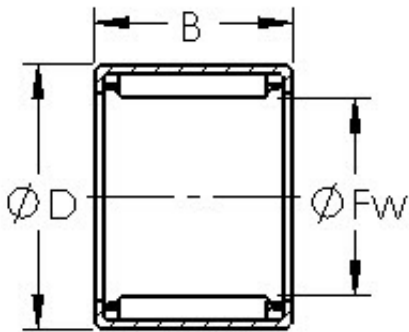




# BEARING CORP. LTD.



## AST HK4512 needle roller bearings

Bearing No. HK4512

Size	45x52x12 mm
Bore Diameter	45 mm
Outer Diameter	52 mm
Width	12 mm
Bearing Type	Cage Retained Rollers
Outer Dia (D)	52.0000
Width (B)	12.0000
Dynamic Load Rating (Cr)	14,900
Static Load Rating (Cor)	27,500
Max Speed (Grease) (X1000 RPM)	6,000
Shaft (Fw)	45.000
Weight (g)	33.00
Material - Drawn cup: Hardened carbon steel alloy, Rollers	52100 Chrome steel or equivalent

HK4512 Bearing 2D drawings and 3D CAD models