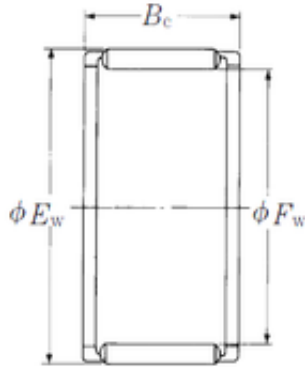




BEARING CORP. LTD.

NSK FWF-162217 needle roller bearings



Bearing No. FWF-162217

| | |
|-------------------------------|------------------|
| Bore Diameter | 16 mm |
| Outer Diameter | 22 mm |
| Fw | 16 mm |
| Ew | 22 mm |
| Bc | 17 mm |
| Weight | 0,012 Kg |
| Basic dynamic load rating (C) | 14,7 kN |
| Basic static load rating (C0) | 16,9 kN |
| (Grease) Lubrication Speed | 17000 r/min |
| hidYobi | FWF-162217 |
| LangID | 1 |
| Prod_Type3 | NRB_CNRA_FWF-FWJ |
| d | 16 |
| D_ | 22 |
| DA_ | 3 |
| Z_ | 12 |
| C | 14.7 |
| B_ | 17 |
| hidTable | ecat_NSCRA |
| yobi | FWF-162217 |
| mass | 12 |
| GRS rpm | 17000 |
| OIL rpm | 28000 |
| SDM_ | 19 |
| KBRG | 8113 |
| C0 | 16.9 |

FWF-162217 Bearing 2D drawings and 3D CAD models



BEARING CORP. LTD.

| | |
|-----|------|
| SLR | 13.8 |
|-----|------|