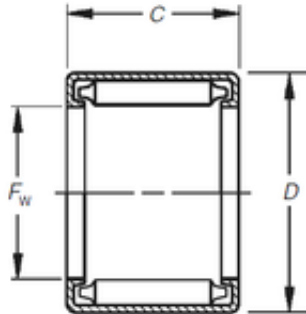




# BEARING CORP. LTD.

## Timken BH-812 needle roller bearings



Bearing No. BH-812

Size	12.7x19.05x19.05 mm
Bore Diameter	12,7 mm
Outer Diameter	19,05 mm
Width	19,05 mm
Fw	12,7 mm
D	19,05 mm
C	19,05 mm
Weight	0,018 Kg
Basic dynamic load rating (C)	17,4 kN
Basic static load rating (C0)	25,8 kN
(Grease) Lubrication Speed	5100 r/min

BH-812 Bearing 2D drawings and 3D CAD models