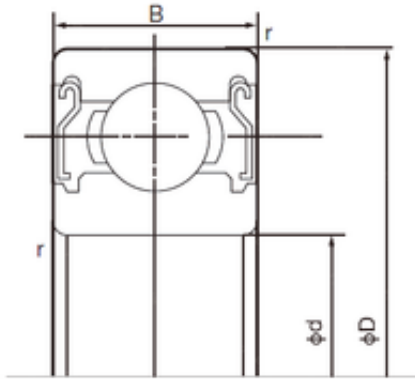




BEARING CORP. LTD.

55 mm x 90 mm x 18 mm NACHI 6011ZZE deep groove ball bearings



Bearing No. 6011ZZE

6011ZZE Bearing 2D drawings and 3D CAD models

Size	55x90x18 mm
Bore Diameter	55 mm
Outer Diameter	90 mm
Width	18 mm
d	55 mm
D	90 mm
B	18 mm
C	18 mm
r min.	1.1 mm
da min.	61 mm
Da max.	84 mm
ra max.	1.0 mm
Weight	0.384 Kg
Basic dynamic load rating (C)	28,3 kN
Basic static load rating (C0)	21,3 kN
Bore Type	Cylindrical Bore
Enclosure	Double Shield
Configuration	Single Row
Bore Size	55 mm
Outside Diameter	90 mm
Width	18 mm
Fillet Radius/Chamfer	1.1 mm
Dynamic Load Rating	28,300 N
Static Load Rating	21,300 N
Limiting Speed - Grease	7,700 rpm



BEARING CORP. LTD.

Factor fo	15.4
Radial Clearance	0.008 to 0.028 mm
da (min)	61 mm
Da (max)	84 mm
ra (max)	1 mm