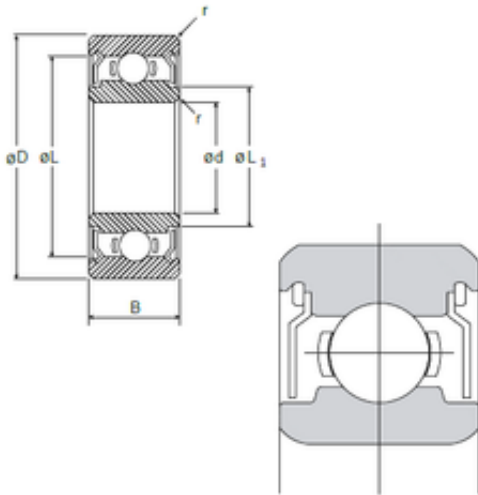




BEARING CORP. LTD.

2,5 mm x 7 mm x 3,5 mm NMB R-725ZZ deep groove ball bearings



Bearing No. R-725ZZ

Size	2.5x7x3.5 mm
Bore Diameter	2,5 mm
Outer Diameter	7 mm
Width	3,5 mm
d	2,5 mm
D	7 mm
B	3,5 mm
C	3,5 mm
r min.	0,15 mm
L	5,93 mm
L1	3,8 mm
Basic dynamic load rating (C)	0,38 kN

R-725ZZ Bearing 2D drawings and 3D CAD models