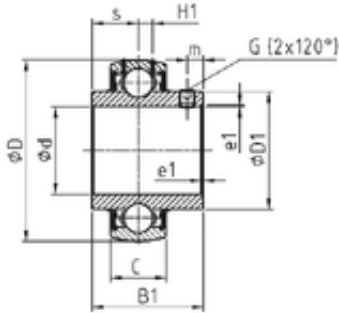




BEARING CORP. LTD.



SNR UC212 deep groove ball bearings

Bearing No. UC212

Size	60x110x27 mm
Bore Diameter	60 mm
Outer Diameter	110 mm
Width	27 mm
d	60 mm
D	110 mm
B1	65,1 mm
C	27 mm
e	1,1 mm
a	5 mm
m	10,5 mm
s	25,4 mm
D1	74,9 mm
H1	8,2 mm
Thread (G)	M10x1,25
Weight	1,53 Kg
Basic dynamic load rating (C)	52,5 kN

UC212 Bearing 2D drawings and 3D CAD models