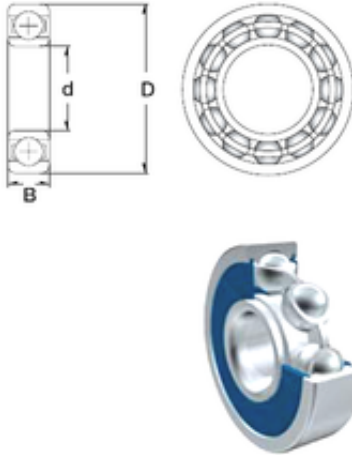




## BEARING CORP. LTD.

25 mm x 62 mm x 17 mm ZEN S6305-2RS deep groove ball bearings



Bearing No. S6305-2RS

Size	25x62x17 mm
Bore Diameter	25 mm
Outer Diameter	62 mm
Width	17 mm
d	25 mm
D	62 mm
B	17 mm
C	17 mm
Weight	0,23 Kg
Basic dynamic load rating (C)	22,5 kN

S6305-2RS Bearing 2D drawings and 3D CAD models