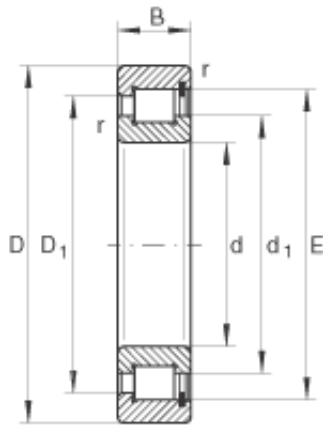




BEARING CORP. LTD.

160 mm x 240 mm x 60 mm INA SL183032
cylindrical roller bearings



Bearing No. SL183032

SL183032 Bearing 2D drawings and 3D CAD models

Size	160x240x60 mm
Bore Diameter	160 mm
Outer Diameter	240 mm
Width	60 mm
d	160 mm
D	240 mm
B	60 mm
D ₁	215,8 mm
d ₁	184,8 mm
E	225,45 mm
r _{min}	2,1 mm
s	7 mm / Axial displacement
m	8,8 kg / Weight
C _r	540000 N / Dynamic load rating (radial)
C _{0r}	800000 N / Static load rating (radial)
C _{ur}	103000 N / Fatigue limit load, radial
n _G	1600 1/min / Limiting speed
Category	Cylindrical Roller Bearings
Inventory	0.0
Manufacturer Name	SCHAEFFLER GROUP
Minimum Buy Quantity	N/A
Weight / Kilogram	10.547
Product Group	B04144



BEARING CORP. LTD.

Bore Profile	Straight
Cage Material	None
Precision Class	RBEC 1 ISO P0
Number of Rows of Rollers	Single Row
Separable	No
Rolling Element	Cylindrical Roller Bearing
Profile	Complete with Outer and Inner Ring
Snap Ring	No
Internal Clearance	C0-Medium
Retainer	No
Relubricatable	Yes
Inch - Metric	Metric
Other Features	Full Complement 2 Rib Inner Ring 1 Rib Outer Ring with Retaining Ring Operating Temperature From -30 to 120 Deg
Long Description	160MM Bore; Straight Bore Profile; 240MM Outside Diameter; 60MM Width; RBEC 1 ISO P0; Single Row; Not Separable; No Snap Ring; Relubricatable; C0-Medium Internal Clearance; No Retainer
Category	Cylindrical Roller Bearing
UNSPSC	31171547
Harmonized Tariff Code	8482.50.00.00
Noun	Bearing
Manufacturer URL	http://www.ina.com
Manufacturer Item Number	SL183032
Weight / LBS	23.232
Width	2.362 Inch 60 Millimeter
Outside Diameter	9.449 Inch 240 Millimeter
Bore	6.299 Inch 160 Millimeter



BEARING CORP. LTD.