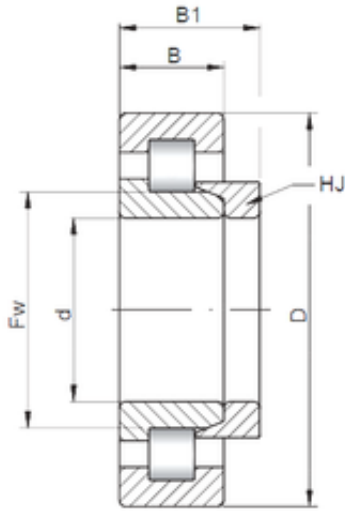




BEARING CORP. LTD.

40 mm x 80 mm x 23 mm ISO NH2208
cylindrical roller bearings



Bearing No. NH2208

Size	40x80x23 mm
Bore Diameter	40 mm
Outer Diameter	80 mm
Width	23 mm
d	40 mm
D	80 mm
B	23 mm
C	23 mm
B1	5 mm
B2	9 mm

NH2208 Bearing 2D drawings and 3D CAD models