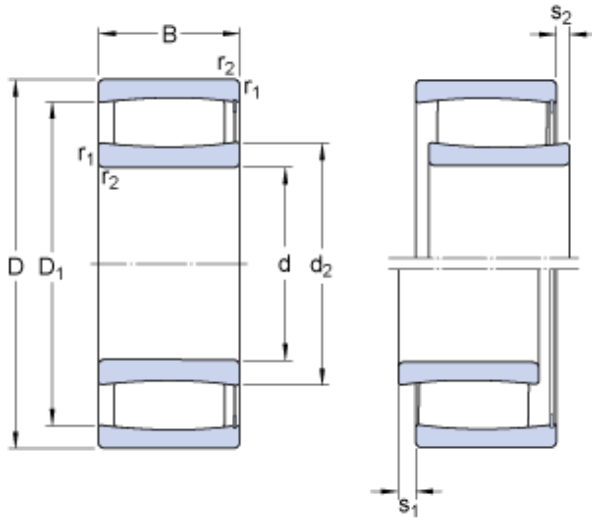




# BEARING CORP. LTD.



50 mm x 72 mm x 30 mm SKF C 5910 V  
cylindrical roller bearings

Bearing No. C 5910 V

C 5910 V Bearing 2D drawings and 3D CAD models

Size	72x50x30 mm
Bore Diameter	72 mm
Outer Diameter	50 mm
Width	30 mm
d	50 mm
D	72 mm
B	30 mm
d <sub>2</sub>	56.9 mm
D <sub>1</sub>	65.7 mm
s <sub>1</sub>	6 mm
s <sub>2</sub>	3 mm
r <sub>1,2</sub> - min.	0.6 mm
d <sub>a</sub> - min.	53.2 mm
d <sub>a</sub> - max.	62 mm
D <sub>a</sub> - max.	68.8 mm
r <sub>a</sub> - max.	0.6 mm
Basic dynamic load rating - C	114 kN
Basic static load rating - C <sub>0</sub>	176 kN
Fatigue load limit - P <sub>u</sub>	20.8 kN
Limiting speed	2800 r/min
Factor - k <sub>1</sub>	0.103
Factor - k <sub>2</sub>	0.106