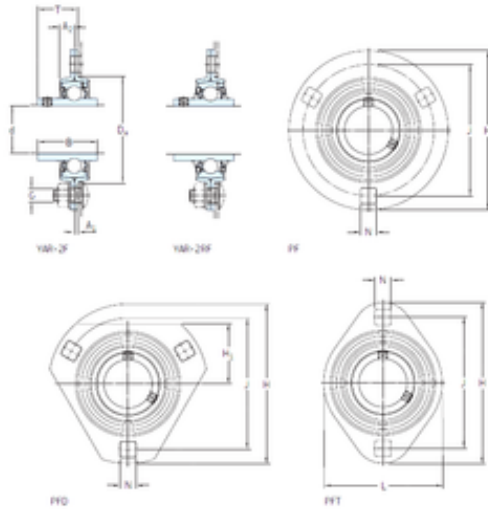




BEARING CORP. LTD.



SKF PF 45 WF bearing units

Bearing No. PF 45 WF

| | |
|---|---------------|
| Bore Diameter | 45 mm |
| d | 45 mm |
| Da | 97 mm |
| A1 | 3,5 mm |
| B1 | 56,3 mm |
| G | 12 mm |
| H | 149 mm |
| H1 | – mm |
| J | 120,6 mm |
| L | – |
| N | 13,5 mm |
| T | 38,4 mm |
| A2 | 10,5 mm |
| Weight | 1,4 Kg |
| Basic dynamic load rating (C) | 33,2 kN |
| Basic static load rating (C0) | 21,6 kN |
| Housing material | Pressed steel |
| A ₁ | 3.5 mm |
| A ₂ | 10.5 mm |
| B | 42.8 mm |
| B ₄ | 6.75 mm |
| D _a min. | 92 mm |
| s ₁ | 34.9 mm |
| Basic dynamic load rating C | 33.2 kN |
| Basic static load rating C ₀ | 21.6 kN |
| Fatigue load limit P _u | 0.915 kN |

PF 45 WF Bearing 2D drawings and 3D CAD models



BEARING CORP. LTD.

| | |
|---|------------|
| Permissible radial housing load max. | 8.3 kN |
| Mass unit | 1.45 kg |
| Thread grub screw G ₂ | M10x1 |
| Hexagonal key size for grub screw N | 5 mm |
| Recommended tightening torque for grub screw | 16.5 N · m |
| Recommended diameter for attachment bolts, mm G | 12 mm |
| Recommended diameter for attachment bolts, inch G | 0.5 in |