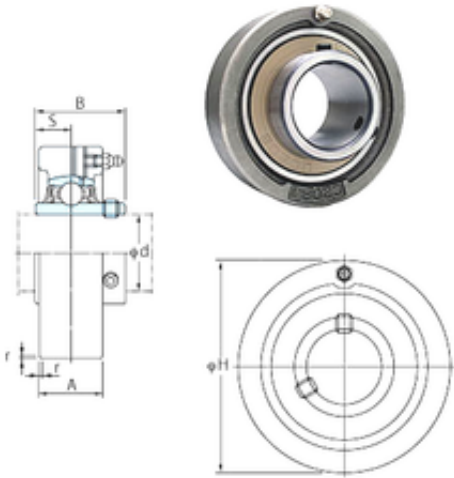




# BEARING CORP. LTD.

## FYH UCC320-64 bearing units

Bearing No. UCC320-64



UCC320-64 Bearing 2D drawings and 3D CAD models

Bore Diameter	101,6 mm
Width	108 mm
d	101,6 mm
r	4 mm
A	75 mm
B	108 mm
H	260 mm
S	42 mm
Weight	19,6 Kg
Basic dynamic load rating (C)	173 kN
Basic static load rating (C0)	141 kN