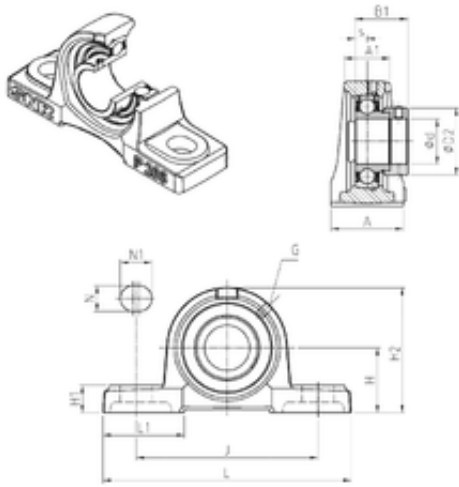




# BEARING CORP. LTD.

## SNR ESP208 bearing units



Bearing No. ESP208

Bore Diameter	40 mm
d	40 mm
s	11 mm
A	54 mm
A1	34 mm
B1	43,7 mm
D2	60,3 mm
H	49,2 mm
H1	19 mm
H2	100 mm
J	137 mm
L	184 mm
L1	52 mm
N	17 mm
N1	23 mm
Thread (G)	M6x1
Weight	2,1 Kg
Basic dynamic load rating (C)	29,6 kN

ESP208 Bearing 2D drawings and 3D CAD models