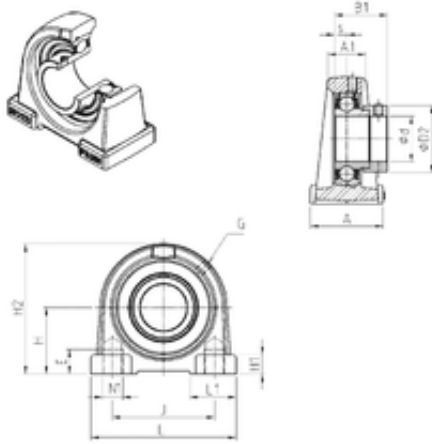




# BEARING CORP. LTD.



## SNR ESPAE205 bearing units

Bearing No. ESPAE205

Bore Diameter	25 mm
d	25 mm
s	7,5 mm
A	36 mm
A1	21 mm
B1	30,9 mm
D2	38,1 mm
E	12,5 mm
H	36,5 mm
H1	10 mm
H2	70 mm
J	50,8 mm
L	70 mm
L1	21 mm
Thread (G)	R1/8"
Thread (N1)	M10
Weight	0,6 Kg
Basic dynamic load rating (C)	14 kN

ESPAE205 Bearing 2D drawings and 3D CAD models