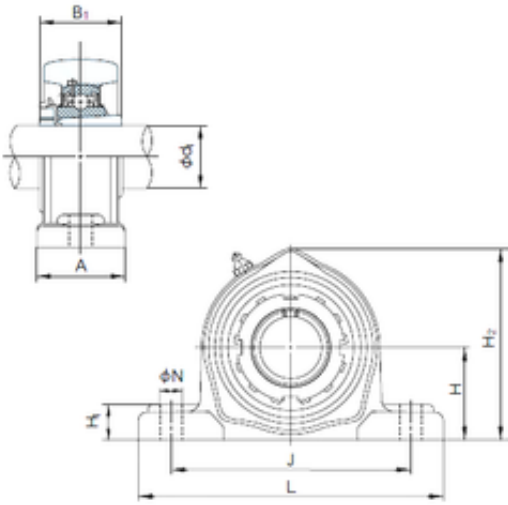




BEARING CORP. LTD.

NACHI UKPK318+H2318 bearing units

Bearing No. UKPK318+H2318



UKPK318+H2318 Bearing 2D drawings and 3D CAD models

Bore Diameter	80 mm
d	80 mm
H	118 mm
A	105 mm
B1	86 mm
H1	50 mm
H2	245 mm
J	330 mm
L	417 mm
N	32 mm
Bolt (G)	M27