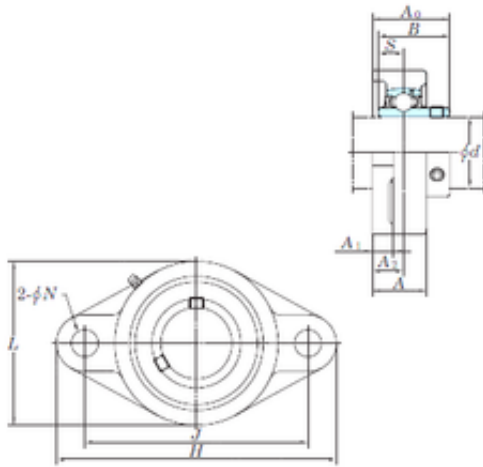




BEARING CORP. LTD.

KOYO UCFL216 bearing units

Bearing No. UCFL216



UCFL216 Bearing 2D drawings and 3D CAD models

Bore Diameter	80 mm
d	80 mm
A0	83,3 mm
A	58 mm
A1	20 mm
B	82,6 mm
H	290 mm
J	233 mm
L	180 mm
N	25 mm
S	33,3 mm
A2	34 mm
Weight	7,8 Kg
Basic static load rating (C0)	72,7 kN
Bearing No.	UCFL216
Bolt size	M22
Cr	72.7
C0r	53.0
f0	14.6
(Refer.)Unit mass(kg)	7.8
Nipple size	R1/8