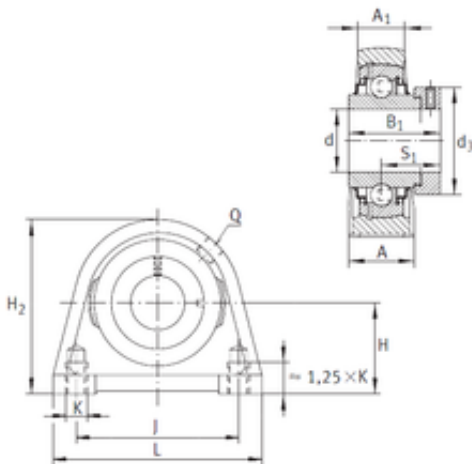




BEARING CORP. LTD.

INA RSHE40-N bearing units

Bearing No. RSHE40-N



RSHE40-N Bearing 2D drawings and 3D CAD models

Bore Diameter	40 mm
d	40 mm
Thread (Q)	Rp1/8
Thread (K)	M12
d3	58 mm
A	48 mm
A1	30 mm
B1	56,5 mm
H	49,2 mm
H2	99 mm
J	88,9 mm
L	116 mm
S	35,1 mm
Weight	1,96 Kg
Basic dynamic load rating (C)	32,5 kN
Category	Pillow Block Bearings
Inventory	0.0
Manufacturer Name	SCHAEFFLER GROUP
Minimum Buy Quantity	N/A
Weight / Kilogram	2.299
Product Group	M06110
Number of Mounting Holes	2
Mounting Method	Eccentric Collar
Housing Style	2 Bolt Tap Base Pillow Block
Rolling Element	Ball Bearing
Housing Material	Cast Iron



BEARING CORP. LTD.

Expansion / Non-expansion	Non-expansion
Mounting Bolts	12 Millimeter
Relubricatable	Yes
Insert Part Number	GE40KRRB
Seals	Double Land Riding Rubber Contact
Housing Configuration	1 Piece Solid
Inch - Metric	Metric
Other Features	Single Row With Set Screw
Long Description	2 Bolt Tap Base Pillow Block; 40MM Bore; 49.2MM Base to Center Height; Eccentric Collar Mount; Ball Bearing; Relubricatable; Cast Iron; Double Land Riding Rubber Contact; Non-expansion
Category	Pillow Block
UNSPSC	31171511
Harmonized Tariff Code	8483.20.40.40
Noun	Bearing
Keyword String	Pillow Block
Manufacturer URL	http://www.ina.com
Manufacturer Item Number	RSHE40N
Weight / LBS	4.322
Base to Center Height	1.937 Inch 49.2 Millimeter
Actual Bolt Center to Center	3.5 Inch 90Millimeter
Bolt Spacing Minimum	0 Inch 0Millimeter
Bolt Spacing Maximum	0 Inch 0Millimeter
Bore	1.575 Inch 40 Millimeter
Nominal Bolt Center to Center	3.5 Inch 90 Millimeter
Length Thru Bore	2.217 Inch 56.3 Millimeter