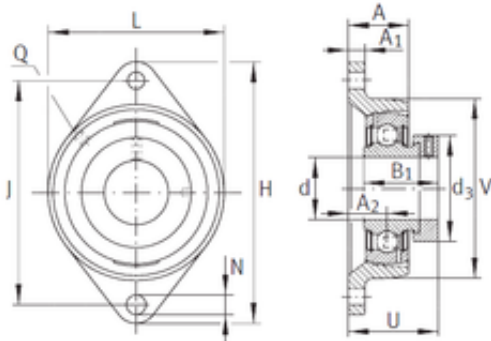




BEARING CORP. LTD.

INA PCJT3/4 bearing units



PCJT3/4 Bearing 2D drawings and 3D CAD models

Bearing No. PCJT3/4

Bore Diameter	19.05 mm
d	19.05 mm
V	62,992 mm
U	42,494 mm
Thread (Q) - 1/4-28 UNF	1/428 UNF
d3	32,995 mm
A	29,489 mm
A1	10,998 mm
B	30,988 mm
H	111,989 mm
J	89,992 mm
L	62,001 mm
N	11,506 mm
A2	18,999 mm
Category	Flange Block Bearings
Inventory	0.0
Manufacturer Name	SCHAEFFLER GROUP
Minimum Buy Quantity	N/A
Weight / Kilogram	0.5
Product Group	M06110
Number of Mounting Holes	2
Mounting Method	Eccentric Collar
Housing Style	2 Bolt Flange Block
Rolling Element	Ball Bearing
Housing Material	Cast Iron
Expansion / Non-expansion	Non-expansion



BEARING CORP. LTD.

Mounting Bolts	29/64 Inch
Relubricatable	Yes
Insert Part Number	GRA012NPPB
Seals	Double Lip Contact
Housing Configuration	1 Piece Solid
Pilot Configuration	No Pilot
Inch - Metric	Inch
Long Description	2 Bolt Flange Block; 3/4" Bore; 3-1/2" Bolt Circle; 3.543" Bolt Spacing; 1 Piece Solid; Eccentric Collar Mount; Cast Iron; Ball Bearing; 1.221" Length Thru Bore; Relubricatable; Do
Other Features	Single Row With Set Screw
Category	Flange Block
UNSPSC	31171501
Harmonized Tariff Code	8483.20.40.40
Noun	Bearing
Keyword String	Flanged
Manufacturer URL	http://www.ina.com
Manufacturer Item Number	PCJT3/4
Weight / LBS	1.103
Cartridge Pilot Depth	0 Inch 0 Millimeter
Bore	0.75 Inch 19.05 Millimeter
Cartridge Pilot Diameter	0 Inch 0 Millimeter
Length Thru Bore	1.221 Inch 31.013 Millimeter
Bolt Spacing	3.543 Inch 90 Millimeter
Nominal Bolt Circle Diameter Round	3.5 Inch 90 Millimeter