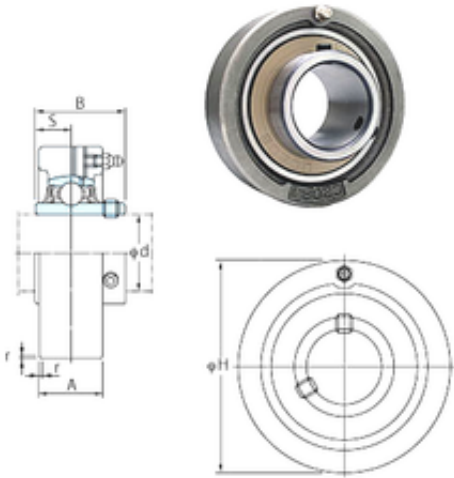




# BEARING CORP. LTD.

## FYH UCC204-12 bearing units

Bearing No. UCC204-12



UCC204-12 Bearing 2D drawings and 3D CAD models

Bore Diameter	19,05 mm
Width	31 mm
d	19,05 mm
r	1,5 mm
A	20 mm
B	31 mm
H	72 mm
S	12,7 mm
Weight	0,47 Kg
Basic dynamic load rating (C)	12,8 kN
Basic static load rating (C0)	6,65 kN