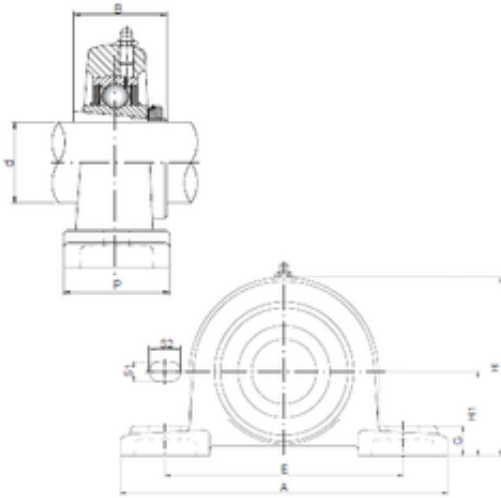




# BEARING CORP. LTD.

## ISO UKP212 bearing units



Bearing No. UKP212

Bore Diameter	55 mm
d	55 mm
S1	20 mm
P	70 mm
A	241 mm
B	62 mm
E	184 mm
G	25 mm
H	138 mm
H1	69,8 mm

UKP212 Bearing 2D drawings and 3D CAD models