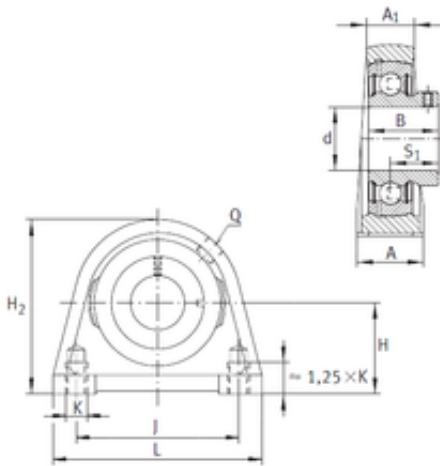




# BEARING CORP. LTD.

## INA PSHEY35-N bearing units

Bearing No. PSHEY35-N



PSHEY35-N Bearing 2D drawings and 3D CAD models

|                               |                              |
|-------------------------------|------------------------------|
| Bore Diameter                 | 35 mm                        |
| d                             | 35 mm                        |
| Thread (Q)                    | Rp1/8                        |
| Thread (K)                    | M10                          |
| A                             | 45 mm                        |
| A1                            | 27 mm                        |
| B                             | 35 mm                        |
| H                             | 47,6 mm                      |
| H2                            | 93 mm                        |
| J                             | 82,6 mm                      |
| L                             | 103 mm                       |
| S                             | 25,5 mm                      |
| Weight                        | 1,19 Kg                      |
| Basic dynamic load rating (C) | 25,5 kN                      |
| Category                      | Pillow Block Bearings        |
| Inventory                     | 0.0                          |
| Manufacturer Name             | SCHAEFFLER GROUP             |
| Minimum Buy Quantity          | N/A                          |
| Weight / Kilogram             | 1.2                          |
| Product Group                 | M06110                       |
| Number of Mounting Holes      | 2                            |
| Mounting Method               | Set Screw                    |
| Housing Style                 | 2 Bolt Tap Base Pillow Block |
| Rolling Element               | Ball Bearing                 |
| Housing Material              | Cast Iron                    |
| Expansion / Non-expansion     | Non-expansion                |



## BEARING CORP. LTD.

|                               |  |
|-------------------------------|--|
| Mounting Bolts                | 10 Millimeter  |
| Relubricatable                | Yes  |
| Insert Part Number            | GAY35NPPB  |
| Seals                         | Double Lip Contact   |
| Housing Configuration         | 1 Piece Solid  |
| Inch - Metric                 | Metric   |
| Other Features                | Single Row   With Grub Screw   |
| Long Description              | 2 Bolt Tap Base Pillow Block; 35MM Bore; 47.6MM Base to Center Height; Set Screw Mount; Ball Bearing; Relubricatable; Cast Iron; Double Lip Contact; Non-expansion |
| Category                      | Pillow Block   |
| UNSPSC                        | 31171511   |
| Harmonized Tariff Code        | 8483.20.40.40  |
| Noun                          | Bearing  |
| Keyword String                | Pillow Block   |
| Manufacturer URL              | <a href="http://www.ina.com">http://www.ina.com</a>  |
| Manufacturer Item Number      | PSHEY35  |
| Weight / LBS                  | 3.374  |
| Bolt Spacing Minimum          | 0 Inch   0Millimeter   |
| Bolt Spacing Maximum          | 0 Inch   0Millimeter   |
| Bore                          | 1.378 Inch   35 Millimeter   |
| Base to Center Height         | 1.874 Inch   47.6 Millimeter   |
| Nominal Bolt Center to Center | 3.3 Inch   84 Millimeter   |
| Length Thru Bore              | 1.378 Inch   35 Millimeter   |
| Actual Bolt Center to Center  | 3.3 Inch   84Millimeter  |