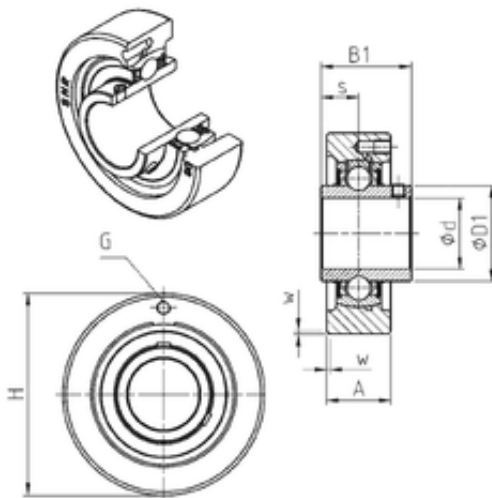




BEARING CORP. LTD.

SNR UCC314 bearing units

Bearing No. UCC314



UCC314 Bearing 2D drawings and 3D CAD models

Bore Diameter	70 mm
d	70 mm
s	33 mm
A	52 mm
B1	78 mm
D1	94 mm
H	180 mm
W	4 mm
Thread (G)	M10x1
Weight	8 Kg
Basic dynamic load rating (C)	104,26 kN
B	78 mm
A3	4 mm
A5	45 mm
G	M10x1
s1	39 mm
S	33 mm
SW	6 mm
C	104.26 kN
C0	68 kN
T min.	-20 ° C
T max.	100 ° C
Recommended tightening torque for set screw	33 Nm
Designation of housing	C314-
Designation of bearing	UC314G2



BEARING CORP. LTD.