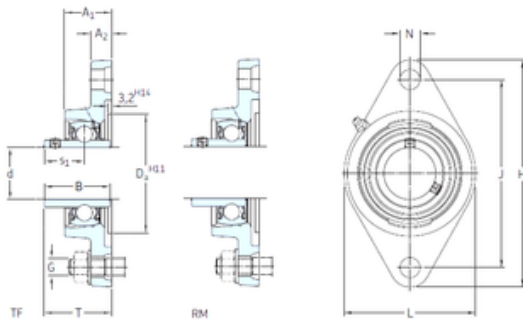




BEARING CORP. LTD.

SKF FYT 1/2 RM bearing units



Bearing No. FYT 1/2 RM

Bore Diameter	12,7 mm
Width	22,5 mm
d	12,7 mm
s1	16 mm
A1	23,4 mm
B	22,5 mm
G	10 mm
H	98,5 mm
J	76,2 mm
L	54 mm
N	11,1 mm
T	30,6 mm
A2	11,5 mm
Weight	0,31 Kg
Basic dynamic load rating (C)	9,56 kN
Basic static load rating (C0)	4,75 kN
Fatigue load limit (Pu)	0,2
Category	Flange Block Bearings
Inventory	0.0
Manufacturer Name	SKF
Minimum Buy Quantity	N/A
Weight / Kilogram	0.36
Product Group	M06110
Number of Mounting Holes	2
Mounting Method	Set Screw
Housing Style	2 Bolt Flange Block

FYT 1/2 RM Bearing 2D drawings and 3D CAD models



BEARING CORP. LTD.

Rolling Element	Ball Bearing
Housing Material	Cast Iron
Expansion / Non-expansion	Non-expansion
Mounting Bolts	3/8 Inch
Relubricatable	Yes
Insert Part Number	YAT 203-008
Seals	M Seal
Housing Configuration	1 Piece Solid
Pilot Configuration	No Pilot
Inch - Metric	Inch
Long Description	2 Bolt Flange Block; 1/2" Bore; 3" Bolt Circle; 3" Bolt Spacing; 1 Piece Solid; Set Screw Mount; Cast Iron; Ball Bearing; 57/64" Length Thru Bore; Relubricatable; M Seal Seals
Other Features	Single Row Standard Duty Narrow Inner Race Open End Y Bearing
Category	Flange Block
UNSPSC	31171501
Harmonized Tariff Code	8483.20.40.40
Noun	Bearing
Keyword String	Flanged
Manufacturer URL	http://www.skf.com
Manufacturer Item Number	FYT 1/2 RM
Weight / LBS	0.8
Bore	0.5 Inch 12.7 Millimeter
Nominal Bolt Circle Diameter Round	3 Inch 76 Millimeter
Length Thru Bore	0.891 Inch 22.631 Millimeter
Bolt Spacing	3 Inch 76.2 Millimeter
Cartridge Pilot Depth	0 Inch 0 Millimeter



BEARING CORP. LTD.

Cartridge Pilot Diameter

0 Inch | 0 Millimeter