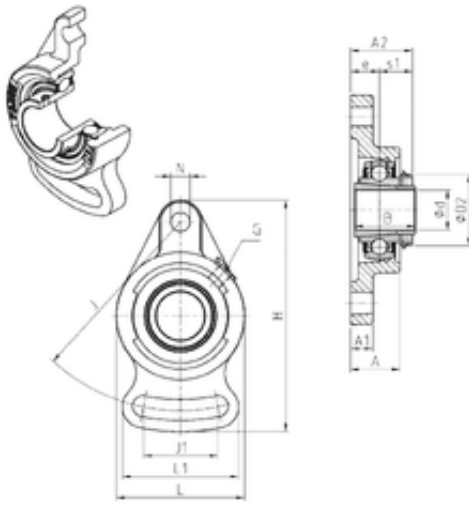




# BEARING CORP. LTD.

## SNR UKFA206H bearing units

Bearing No. UKFA206H



UKFA206H Bearing 2D drawings and 3D CAD models

Bore Diameter	25 mm
d	25 mm
e	18 mm
s1	20,5 mm
A	31 mm
A1	14 mm
B	38 mm
D2	45 mm
H	144 mm
J	117 mm
L	80 mm
L1	72 mm
N	12 mm
Thread (G)	M6x1
A2	38,5 mm
J1	58 mm
Weight	1,2 Kg
Basic dynamic load rating (C)	19,5 kN