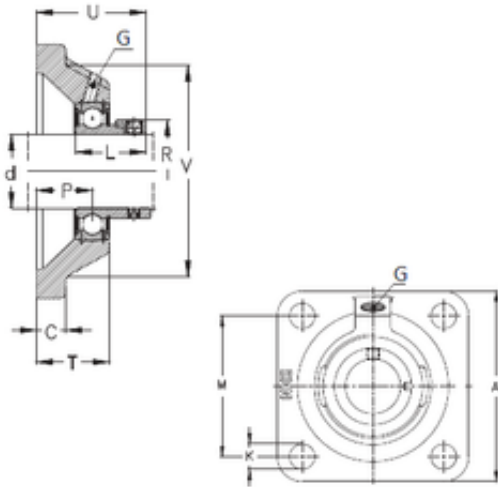




# BEARING CORP. LTD.

## NKE PCJ45 bearing units

Bearing No. PCJ45



PCJ45 Bearing 2D drawings and 3D CAD models

Bore Diameter	45 mm
d	45 mm
P	24 mm
V	116 mm
U	56,7 mm
K	14 mm
A	137 mm
C	13 mm
L	43,7 mm
M	105 mm
R	63 mm
T	35 mm
Thread (G)	R1/8 "