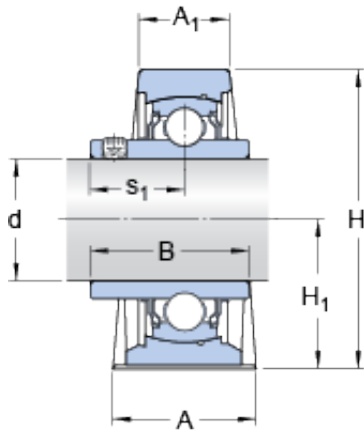




BEARING CORP. LTD.



SY 60 TF/VA201 Bearing 2D drawings and 3D CAD models

SKF SY 60 TF/VA201 bearing units

Bearing No. SY 60 TF/VA201

Size	60x60x43 mm
Bore Diameter	60 mm
Outer Diameter	60 mm
Width	43 mm
d	60 mm
A	60 mm
A ₁	43 mm
H	138 mm
H ₁	69.9 mm
H ₂	26.5 mm
L	240 mm
J	190.5 mm
H	29.5 mm
N ₁	18 mm
B	65.1 mm
s ₁	39.7 mm
Basic dynamic load rating - C	52.7 kN
Basic static load rating - C ₀	36 kN
Limiting speed	50 r/min
Limiting temperature - T	250 ° C
Mass bearing unit	4.5 kg
Grub (set) screw - G ₂	M10x1
Hexagonal key size for grub screw - H	5 mm
Recommended tightening	16.5 N · m



BEARING CORP. LTD.

torque for grub screw	
Category	Bearings
Inventory	0.0
Manufacturer Name	SKF
Minimum Buy Quantity	N/A
UNSPSC	31171511
Weight / Kilogram	0
Product Group	M06110
A ₁	43 mm
H ₁	69.9 mm
H ₂	26.5 mm
N	29.5 mm
N ₁	18 mm
s ₁	39.7 mm
Basic dynamic load rating C	52.7 kN
Basic static load rating C ₀	36 kN
Limiting temperature T max.	250 ° C
Grub (set) screw G ₂	M10x1
Hexagonal key size for grub screw N	5 mm
Attachment bolts, recommended metric size G	16 mm