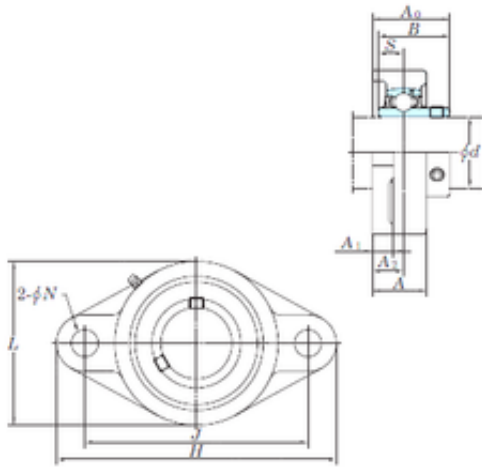




BEARING CORP. LTD.

KOYO UCFL201 bearing units

Bearing No. UCFL201



UCFL201 Bearing 2D drawings and 3D CAD models

| | |
|-------------------------------|-----------|
| Bore Diameter | 12 mm |
| d | 12 mm |
| A0 | 33,3 mm |
| A | 25,5 mm |
| A1 | 11 mm |
| B | 31 mm |
| H | 113 mm |
| J | 90 mm |
| L | 60 mm |
| N | 12 mm |
| S | 12,7 mm |
| A2 | 15 mm |
| Weight | 0,5 Kg |
| Basic static load rating (C0) | 12,8 kN |
| Bearing No. | UCFL201 |
| Bolt size | M10 |
| Cr | 12.8 |
| C0r | 6.65 |
| f0 | 13.2 |
| (Refer.)Unit mass(kg) | 0.50 |
| Nipple size | 1/4-28UNF |