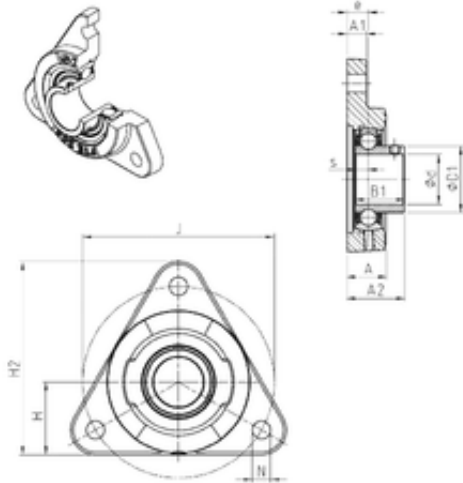




BEARING CORP. LTD.

SNR USFTE210 bearing units

Bearing No. USFTE210



USFTE210 Bearing 2D drawings and 3D CAD models

Bore Diameter	50 mm
d	50 mm
e	19,2 mm
s	10,9 mm
A	33 mm
A1	16 mm
B1	43,5 mm
D1	61,8 mm
H	55 mm
H2	150 mm
J	160 mm
N	14 mm
Thread (G)	R1/8"
A2	51,8 mm
Weight	2 Kg
Basic dynamic load rating (C)	35,1 kN