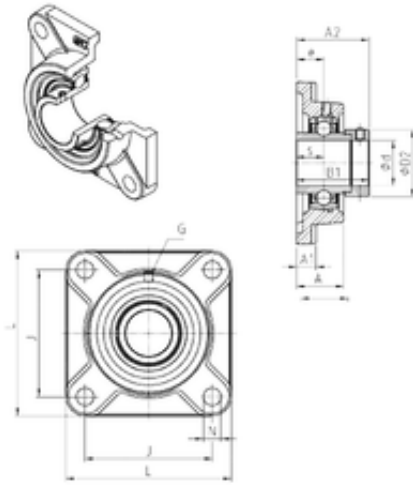




BEARING CORP. LTD.

SNR EXF213 bearing units

Bearing No. EXF213



EXF213 Bearing 2D drawings and 3D CAD models

Bore Diameter	65 mm
d	65 mm
e	30 mm
s	34,1 mm
A	50 mm
A1	22 mm
B1	85,7 mm
D2	86 mm
J	149 mm
L	187 mm
N	19 mm
Thread (G)	M6x1
A2	81,6 mm
Weight	6,1 Kg
Basic dynamic load rating (C)	57,2 kN