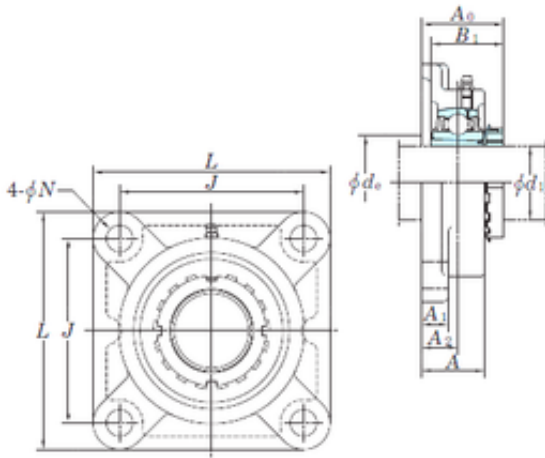




BEARING CORP. LTD.

KOYO UKF206 bearing units

Bearing No. UKF206



UKF206 Bearing 2D drawings and 3D CAD models

Bore Diameter	25,4 mm
d	25,4 mm
A0	37,5 mm
d3	36 mm
A	31 mm
A1	13 mm
B1	31 mm
J	83 mm
L	108 mm
N	12 mm
Thread (G)	M10
A2	18 mm
Weight	1,3 Kg
Basic dynamic load rating (C)	19,5 kN
Basic static load rating (C0)	11,3 kN