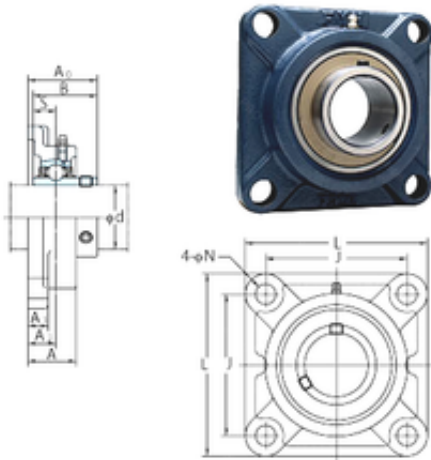




# BEARING CORP. LTD.

## FYH UCFX08-24 bearing units

Bearing No. UCFX08-24



UCFX08-24 Bearing 2D drawings and 3D CAD models

Bore Diameter	38,1 mm
d	38,1 mm
A0	52,2 mm
A	40 mm
A1	14 mm
B	49,2 mm
J	105 mm
L	137 mm
N	19 mm
S	19 mm
Bolt (G)	M16
A2	22 mm
Weight	2,4 Kg
Basic dynamic load rating (C)	34,1 kN
Basic static load rating (C0)	21,3 kN