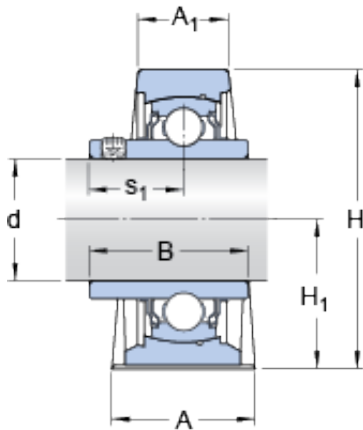




BEARING CORP. LTD.

SKF SY 1.3/8 TF/VA201 bearing units

Bearing No. SY 1.3/8 TF/VA201



SY 1.3/8 TF/VA201 Bearing 2D drawings and 3D CAD models

Size	45x34.925x29 mm
Bore Diameter	45 mm
Outer Diameter	34,925 mm
Width	29 mm
d	34.925 mm
A	45 mm
A ₁	29 mm
H	93 mm
H ₁	47.6 mm
H ₂	19 mm
L	160 mm
J	126 mm
H	21 mm
N ₁	14 mm
B	42.9 mm
s ₁	25.4 mm
Basic dynamic load rating - C	25.5 kN
Basic static load rating - C ₀	15.3 kN
Limiting speed	80 r/min
Limiting temperature - T	250 ° C
Mass bearing unit	1.51 kg
Grub (set) screw - G ₂ - 5/16-24 UNF	5/1624 UNF
Hexagonal key size for grub screw - H	3.969 mm



BEARING CORP. LTD.

Recommended tightening torque for grub screw	6.5 N · m
A ₁	29 mm
H ₁	47.6 mm
H ₂	19 mm
N	21 mm
N ₁	14 mm
s ₁	25.4 mm
Basic dynamic load rating C	25.5 kN
Basic static load rating C ₀	15.3 kN
Limiting temperature T max.	250 ° C
Grub (set) screw G ₂	5/16-24 UNF
Hexagonal key size for grub screw N	3.969 mm
Attachment bolts, recommended metric size G	12 mm