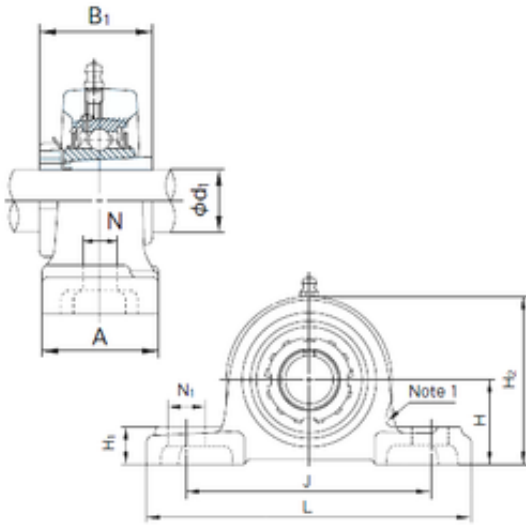




# BEARING CORP. LTD.

## NACHI UKP326+H2326 bearing units

Bearing No. UKP326+H2326



UKP326+H2326 Bearing 2D drawings and 3D CAD models

Bore Diameter	115 mm
Width	180 mm
d	115 mm
A	140 mm
B1	121 mm
H	180 mm
H1	80 mm
H2	354 mm
J	480 mm
L	600 mm
N	40 mm
N1	55 mm
Bolt (G)	M33