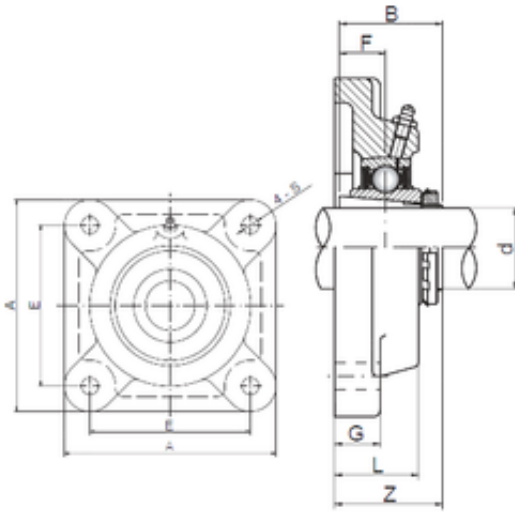




BEARING CORP. LTD.

ISO UKF213 bearing units

Bearing No. UKF213



UKF213 Bearing 2D drawings and 3D CAD models

Bore Diameter	60 mm
Width	65 mm
d	60 mm
Z	64 mm
A	187 mm
B	65 mm
E	149 mm
F	30 mm
G	22 mm
L	50 mm
S	19 mm
Bolt (G)	M16