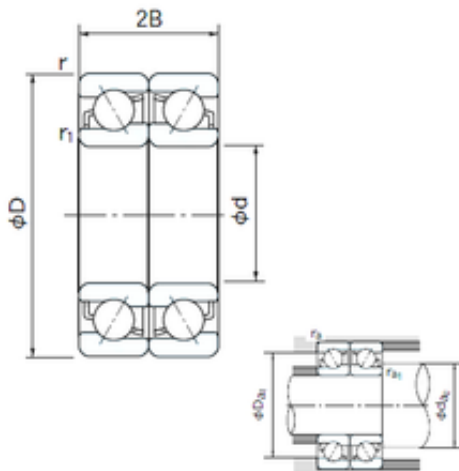




BEARING CORP. LTD.



85 mm x 180 mm x 41 mm NACHI 7317CDF
angular contact ball bearings

Bearing No. 7317CDF

7317CDF Bearing 2D drawings and 3D CAD models

Size	85x180x41 mm
Bore Diameter	85 mm
Outer Diameter	180 mm
Width	41 mm
d	85 mm
D	180 mm
B	41 mm
C	41 mm
Angle (°)	15 °
a -	5.2 mm
r min.	3 mm
r1 min.	1.1 mm
2B	82 mm
da min.	99 mm
Da max.	173 mm
ra max.	1 mm
Weight	4.90 Kg
Basic dynamic load rating (C)	263 kN
Basic static load rating (C0)	262 kN
(Grease) Lubrication Speed	4800 r/min
Bore Type	Cylindrical Bore
Enclosure	Open
Configuration	Duplex
Bore Size	85 mm
Outside Diameter	180 mm



BEARING CORP. LTD.

Width	41 mm
Fillet Radius/Chamfer	3 mm
r1	1.1 mm
Dynamic Load Rating	263,000 N
Static Load Rating	262,000 N
Limiting Speed - Grease	4,800 rpm
Limiting Speed - Oil	6,600 rpm
da1 (min)	99 mm
da2 (min)	99 mm
Da1 (max)	166 mm
Da2 (max)	173 mm
ra (max)	2.5 mm
ra1 (max)	1 mm