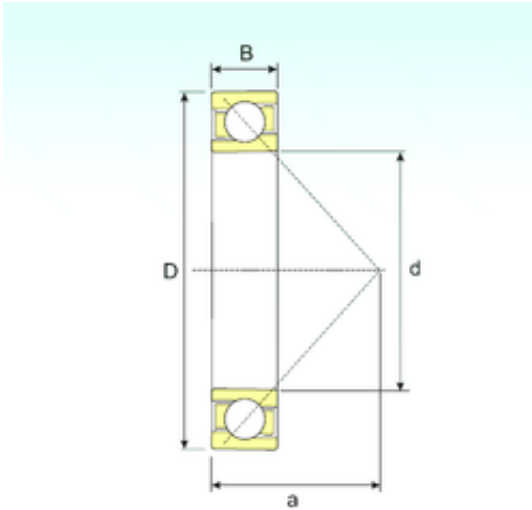




BEARING CORP. LTD.



7030 B Bearing 2D drawings and 3D CAD models

150 mm x 225 mm x 35 mm ISB 7030 B angular contact ball bearings

Bearing No. 7030 B

Size	150x225x35 mm
Bore Diameter	150 mm
Outer Diameter	225 mm
Width	35 mm
d	150 mm
D	225 mm
B	35 mm
C	35 mm
a	96 mm
Weight	4,7 Kg
Basic dynamic load rating (C)	119 kN
Basic static load rating (C0)	98 kN
(Grease) Lubrication Speed	1800 r/min