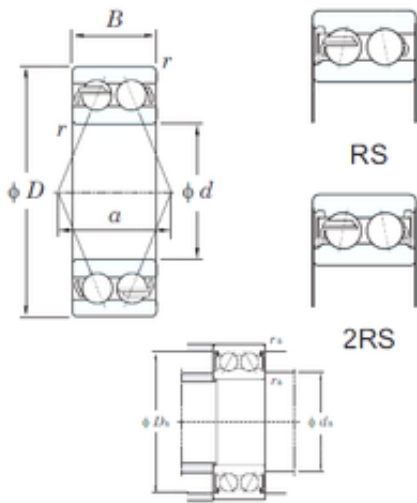




# BEARING CORP. LTD.



40 mm x 80 mm x 30.2 mm KOYO 5208-2RS  
angular contact ball bearings

Bearing No. 5208-2RS

Size	40x80x30.2 mm
Bore Diameter	40 mm
Outer Diameter	80 mm
Width	30.2 mm
d	40 mm
D	80 mm
B	30.2 mm
C	30.2 mm
a	39.2 mm
r min.	1.1 mm
da min.	47 mm
da max	49.5 mm
Da max.	73 mm
ra max.	1 mm
Weight	0.570 Kg
Basic dynamic load rating (C)	36.5 kN
Basic static load rating (C0)	29.1 kN

5208-2RS Bearing 2D drawings and 3D CAD models