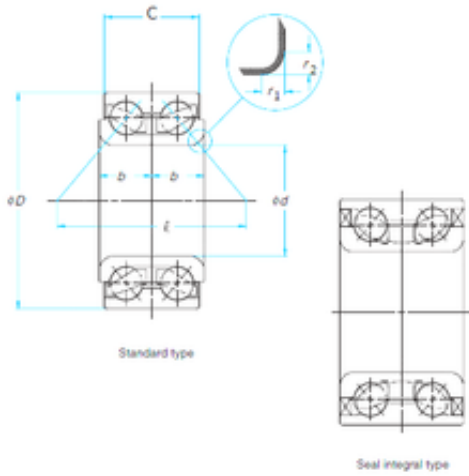




# BEARING CORP. LTD.

42 mm x 75 mm x 45 mm ISO DAC42750045  
angular contact ball bearings



Bearing No. DAC42750045

Size	42x75x45 mm
Bore Diameter	42 mm
Outer Diameter	75 mm
Width	45 mm
d	42 mm
D	75 mm
B	45 mm
C	45 mm

DAC42750045 Bearing 2D drawings and 3D CAD models